

MAXIMUM PLATFORM CAPACITY:
2200 lbs (998 kg)

WORKING HEIGHT:
129 ft 3 in (39.4 m)

HORIZONTAL REACH:
50 ft 0 in (15.24 m)

MAXIMUM JIB CAPACITY:
1500 lbs (680 kg)



WIRELESS
No Fiber Optics

SHORT JACKING
Outriggers

**ON BOARD
DIAGNOSTICS**
with Text Display



VERSALIFT is a leading global manufacturer of bucket trucks, digger derricks, cable placers and other specialty equipment for use in the power generation, transmission and distribution, investor-owned utility, telecommunications, bridge inspection, light and sign, and forestry industries. Providing equipment sales, service, training, warranty and financing to government agencies, corporations, contractors, co-ops and municipalities through its global network of facilities and distributors, the company employs more than 900 employees worldwide.

GENERAL SPECIFICATIONS:

(Based on 40 in Frame)

Horizontal Reach	50 ft 0 in (15.24 m)
Max Platform Capacity	2200 lbs (998 kg)
Upper Boom Articulation	-85° to +83°
Lower Boom Articulation	0° to +87°
Rotation	360° Continuous
Platform Rotation	180°
Height to Bottom of Platform	124 ft 3 in (37.87 m)
Working Height	129 ft 3 in (39.4 m)
Stowed Travel Height	13 ft 6 in (4.11 m)
Maximum Jib Capacity	1500 lbs (680 kg)
Voltage Rating	Up to 500 kV

INSULATION GAP:

Upper Boom	135 in (3.43 m)
------------	-----------------

OUTRIGGERS:

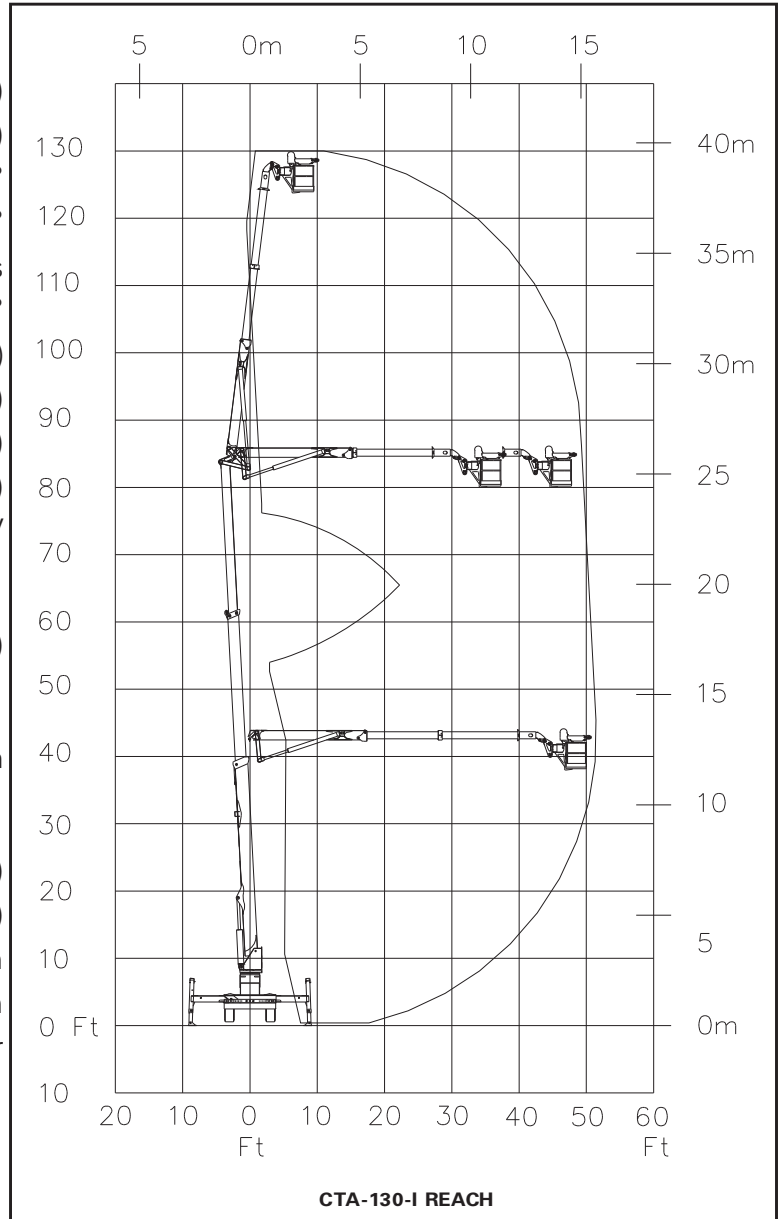
Out & Down (Fully Deployed)	17 ft 6 in x 21 ft 5 in
-----------------------------	-------------------------

HYDRAULIC SYSTEM:

Operating Pressure	3000 psi (207 bar)
Flow Rate	25 gpm (95 lpm)
Filtration	10 micron return 100 mesh suction
System Type	Closed Center

OPTIONS:

- Backup 12-Volt Pump
- Hydraulic Tools
- Intercom Communication System
- Jib Load Indicator
- Various Platforms, Liners and Covers
- Customizations Available



Note: Specifications on units may vary or change without prior notifications due to option selections.