



TruGuard

PATENTED TECHNOLOGY

No matter if you're in the bucket or on the ground, Safety for you and your AERIAL OPERATORS is a TOP PRIORITY.

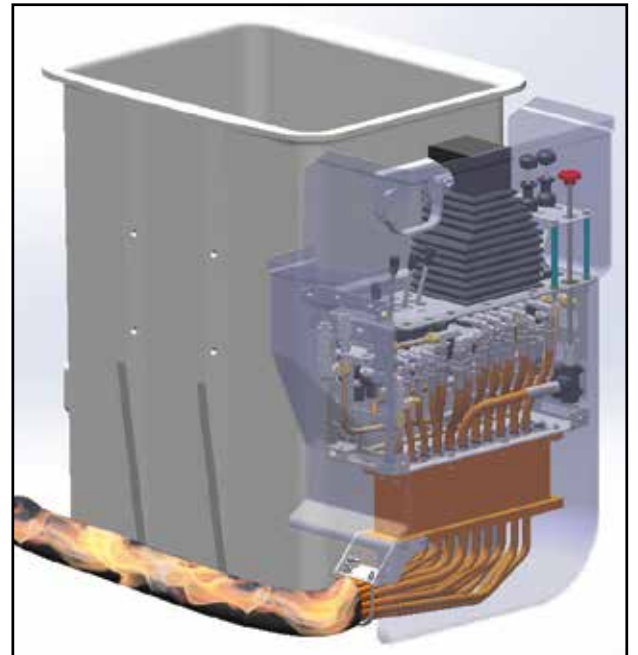
With operators or lift boom tips easily coming into contact with electrical phases through the upper controls, severe injury and/or death is not only possible, but a safety risk you cannot afford in the lives of your operators and your business. In the past, lift companies have offered a solution of plastic handles for the protection of the upper controls.

However, these handles still provide only limited safety with dirt and grime contamination, breakage and frequent repair, and incomplete electrical blockage.

OUR SOLUTION

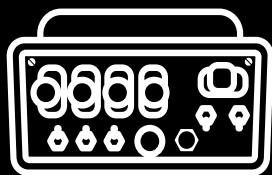
At VERSALIFT, we believe you deserve safety that you can count on when faced with your job's everyday situations. Which is why our world-class engineers created TruGuard® technology, a complete upper control isolating system.

TruGuard® is a "true guard" protection against phase-to-phase and phase-to-ground electrical contact when in an aerial lift, all the way from the boom tip and jib to the ground contact.



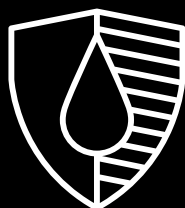
TruGuard
PATENTED TECHNOLOGY

TruGuard
PATENTED TECHNOLOGY



HYDRAULIC

Offers full hydraulic controls that are mechanic-friendly, operator-preferred, and last for 30+ years.



ISOLATION GAP

Protects all control handles at the upper control, hydraulic tool power ports, and console area.



DEBRIS RESISTANCE

Easily passes ANSI A92.2 and protects surfaces from road grime and environmental contamination.

WHY IS TRUGUARD® DIFFERENT?

With TruGuard®, you are able to offer your lift operators unprecedented security and safety while working near electrical phases.

Our world-class engineers have created a uniquely engineered polymer with high dielectric properties and ultra high strength. By isolating the entire area, TruGuard® is the only true upper control safety panel that protects all control handles at the upper control, as well as hydraulic tool power ports, and the console area itself. Giving you the power you want when operating your lift, TruGuard®'s full hydraulic controls with durable metal handles are long lasting and preferred both by mechanics and operators. TruGuard® passes ANSI A92.2 by resisting the dirt and grime you'll encounter throughout the life of your lift, giving you greater security. We've tested it in every challenging situation you'll ever face on the job, along with high pressure and extreme temperatures—and it's exceeded all expectations, including ours. We know it will exceed yours, too.

YOUR TURN

Safety and security for you and your lift operators when working with high phase electrical currents is possible. Interested in hearing more about TruGuard® or how to add it to your lift? Contact one of our knowledgeable VERSALIFT distributors today.

