

ELGIN[®]

Subsidiary of Federal Signal Corporation

Crosswind[®]



CROSSWIND® – RELIABLE, VERSATILE REGENERATIVE AIR SWEEPER

Searching for a reliable, versatile, regenerative air sweeper? Elgin® Sweeper Company has the answer. The Elgin Crosswind combines superior performance with a low-maintenance, simplified design. The wide sweeping path is suited for municipalities, contractors, airport applications and general maintenance sweeping. From the high performance sweep system to the user-friendly controls, the Crosswind has been designed and manufactured to the exacting quality standards that have made Elgin a leading sweeper manufacturer. Thanks to a worldwide factory-trained dealer network, you can be sure of complete satisfaction on delivery and far down the road.



APPLICATION SOLUTIONS

Elgin Sweeper doesn't offer just one sweeping technology — we take an application-based approach to solving our customers' sweeping needs. Our team works with each customer to ensure that you get a machine that fits your specifications, with the right truck, engine configuration, fuel requirements, and options.

POWERFUL SUPPORT

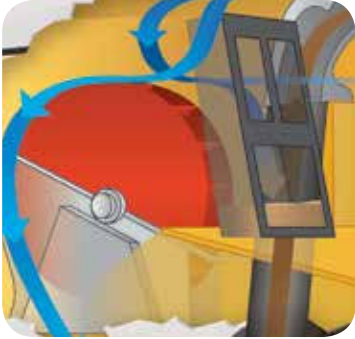
Elgin Sweepers are built for clean, backed for life. Throughout the life of the sweeper, we offer training to your team on proper use and maintenance. We have a world-wide network of experienced dealers with factory trained technicians and a local stock of OEM parts and accessories, to ensure total customer peace of mind.

UNMATCHED QUALITY

The Crosswind was introduced nearly 30 years ago and has been continuously improved in design and production. Elgin sweepers are manufactured in an ISO:9001 certified manufacturing plant. Products are painted prior to assembly and quality tested. Elgin Crosswinds are proudly assembled in the U.S.A. using only the finest materials.

POWERFUL CLEANING SYSTEM

How well a street sweeper picks up material is determined by its overall design. The air conveyance, sweeping, dust suppression, and maintenance systems must work together as an integrated cleaning system to achieve maximum sweeping performance.



HIGHLY EFFICIENT AIR CONVEYANCE SYSTEM

Efficient air flow, including a superior vacuum source and air routing path, is at the heart of the Crosswind.

- High volume air flow at high velocity results in exceptional one-pass pickup while eliminating plugging that can occur in similar type sweepers.
- A nine-vane closed face turbine fan is powered by a turbo-charged diesel auxiliary engine for maximum airflow.
- A centrifugal dust separator minimizes pressure loss and maximizes sweep performance and fan life.



HIGH PRODUCTIVITY SWEEP SYSTEM

The sweep path picks up debris close to the curb and across a wide area.

- A 90 in. (2286 mm) wide pick-up head and dual hydraulically driven, 42 in. (1067 mm) side brooms provide a 12 ft. (3658 mm) wide sweep path.
- Work with brooms fully extended or add the optional full broom retract feature for powerful scrubbing action in front of the pick-up head.
- An optional center broom provides added digging power for compacted debris.
- A 12 ¾ in. (324 mm) diameter suction hose accepts large debris. Quick disconnect allows operator to inspect and clean hose and intake tube without raising hopper.
- The vacuum enhancer facilitates sweeping under light and bulky debris conditions.

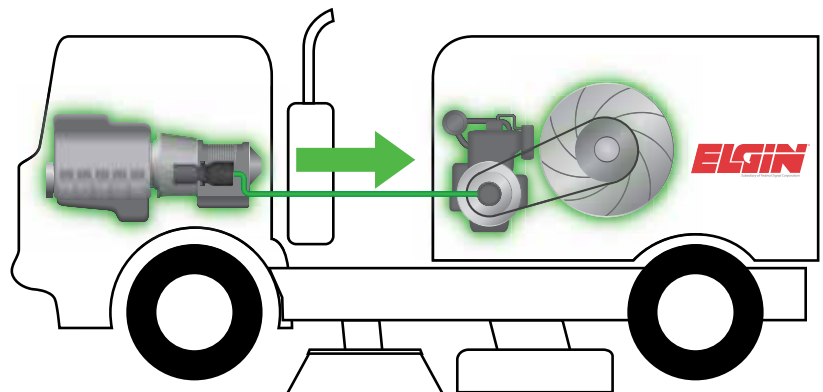
ECOINFUSED® SHAREDPOWER TECHNOLOGY

The Crosswind's patented shared power system is a Tier 4F compliant solution that delivers proven performance, increased fuel efficiency, reduced emissions and lower noise levels at engine-rated speeds.

- The system was developed to share chassis power when using a 74 hp auxiliary engine to ensure maintenance of outstanding sweep performance while providing a simple emission compliant solution that doesn't involve complex, higher maintenance, and expensive exhaust after treatment devices.
- Typically the chassis engine is underutilized while sweeping. EcoInfused SharedPower technology taps into that unused potential and allows power to be hydraulically transferred to and shared with the auxiliary engine.
- Power can also come from regenerative braking. Using a transmission mounted PTO, energy normally lost to vehicle momentum while sweeping on downhill grades or coasting can be reclaimed and immediately applied back into the sweeper system.



EcoInfused
Technology
SharedPower



To see an animation on how the SharedPower system works, scan the QR code or visit: elginsweeper.com/Crosswind

THE ELGIN CROSSWIND



COMPACT DESIGN

The sweeper mounts on conventional or cab-over chassis with short wheelbases, enabling a tight turning radius for better reach in cul-de-sac sweeping, and greater maneuverability around tight corners. The standard auto pickup in reverse allows for quick change of sweeping locations.

HIGH-PERFORMANCE SWEEPER ENGINE

The heavy-duty John Deere 4045T diesel engine provides exceptional power and extended service life. Auto shut-down of engine functions comes standard. The latest EPA Tier 4F and CARB emission compliant packages are now standard.

HIGH CAPACITY/EFFICIENT LOADING

The 8 cu. yard (6 m³) capacity hopper provides extended sweeping time. Abrasion-resistant steel inlet deflector directs debris flow to the center of the hopper, ensuring even, efficient material loading for maximum capacity utilization. A traditional tilting hopper 50 degree dump angle and drop down hopper screens make the Crosswind easy to clean.



SUPERIOR DUST SUPPRESSION

Proper use of water is essential for dust suppression, sweeping performance and longevity of sweeper components providing protection from abrasive materials. Two heavy-duty water pumps, one for the pick-up head and suction hose and one for the side brooms are easy to access and capable of run-dry operation. The durable 240 gallon (908 l) polyethylene water tank is removable for service. Ample water is provided by 16 high-quality, agricultural-grade water nozzles (standard) all in easy to access locations. High/low selectable pump speeds allow for application dependent dust suppression.

UNIQUE TRAILING ARM SIDE BROOMS

Trailing arms provide special 4-way action to closely follow road contours, provide inward motion safety for obstacles, and maintain a consistent broom angle even as the broom starts to wear. Digging pressure is adjustable in-cab. Brooms can be extended outward for maximum sweep path. The optional full broom retract feature allows for scrubbing action directly in front of the pick-up head.

SIMPLE, EASY – ACCESS MAINTENANCE

The Crosswind is designed so that systems are accessible and easy to service. Large access doors allow for quick and easy inspection of the auxiliary engine, electrical, water and hydraulic systems without tilting the hopper. The engine oil and pneumatic pressure can be checked, hydraulic filter changes and the fan bearings greased. The hydraulic system with o-ring seal fittings is designed for long life and leak-free operation. Heavy-duty, waterproof electrical connectors and color-coded wires have stamped identification for quick location during trouble shooting.



SUPERIOR REGENERATIVE AIR SWEEPER DESIGN

POWERFUL BLOWER

The Crosswind features a high velocity, 9-vane closed face turbine fan with a rubber-lined housing for extended life. The vanes are constructed from Hardox® brand steel for durability. A secure, multiple V-groove power belt adjusts without repositioning engine.



ERGONOMIC CONTROLS

The Crosswind's centrally-mounted console features rocker switches for all sweep functions and complete gauges (auxiliary engine coolant temperature, oil pressure, charging voltage, fuel level, engine hour meter, engine RPM) for quick review of system conditions. Side broom down pressure controls and automotive-style fuses further enhance ease of operation and maintenance. A back up camera and alarm are standard for increased operational awareness and safety.

MEMORY SWEEP®

Elgin's optional Memory Sweep® system allows the operator to resume all previous sweep settings, even broom tilt (if so equipped), with one touch control. This feature enhances productivity and reduces fatigue. Memory Sweep incorporates a multi-screen display that indicates system diagnostics as well as optional features such as broom tilt angle, vacuum enhancer position, and broom hours.



APPLICATION-SPECIFIC CONFIGURATIONS

CROSSWIND CNG POWERED

Environmentally Sound, Clean Burning Alternative Fuel Option

The Crosswind is available powered by compressed natural gas (CNG). The alternative fueled dual engine Crosswind is mounted on a commercial conventional or cab-over chassis powered by a Cummins Westport ISL-G engine. The sweeper is powered by a General Motors 5.7 L V8 engine which allows for excellent fuel economy with an impressive power to weight ratio. The engines share four 3600 psi composite reinforced cylinder fuel tanks with a 60 DGE capacity.



CROSSWIND FSX®

Top Performance On and Off the Runway

If you need top performance for airport applications, the Crosswind FSX is for you. With a unique pickup head, at 15 mph (24 km/h) the FSX can sweep 950,000 sq. ft. (88,255 sq. m) of runway per hour, and sweeps tarmac, gate areas and access roadways at slower speeds.

Special options are available including: poly side brooms, a high-performance cast aluminum side air blast nozzle, pick-up head casters, and a heavy duty magnet mounted to front bumper.



CROSSWIND GRS

Glycol Recovery Sweeper

The Crosswind GRS is ideal for sweeping debris and removing environmentally damaging glycol and other deicing fluid runoff on runways and gate locations. The GRS does not require any modifications when switching from sweeping debris to glycol removal in snow and ice conditions.

The system features a blower enhanced with a flow blocker system to allow for quick glycol unloading. Specially designed baffles in the hopper help reduce liquid slosh without impeding sweeping or dumping operations. The hopper capacity is 750 gal (2839 L).



CROSSWIND SPECIALTY TRACK SWEEPER

Racetrack Cleaning and Drying

The Crosswind Specialty Track Sweeper was engineered with input from racetrack officials. It includes features for racetrack sweeping and maintenance, including a hydraulically-driven, plastic bristle side broom on one side and a high-performance cast aluminum air blast nozzle on the other. The Track Sweeper can clean a wide, 117 in (2972 mm) path with its side broom and pickup head. Its side air blast nozzle can blow debris off the track for distances up to 50 ft (15.24 m).

The Track Sweeper quickly and efficiently removes standing water, rubber, and debris from in and around the pit area for the overall safety of the racers, their crews, and spectators. It features an internal dust-suppression system to reduce airborne dust and prevent water from being applied directly to the racing surface.



OPTIONAL ENHANCEMENTS



WANDERING HOSE

The versatile, hydraulic-assist hose gets into hard to reach places and is effective in catch basin cleaning. It handles multiple tubes for especially deep catch basin cleaning.



LIFELINER® HOPPER SYSTEM

The LifeLiner hopper liner and finish system greatly improves the life, durability, and dumping functionality of a sweeper hopper. It is backed by a lifetime warranty*.



STAINLESS STEEL HOPPER SYSTEM

This complete hopper body is constructed entirely of 304 grade stainless steel to provide maximum service life, even in the most corrosive applications. It is backed by a lifetime warranty*.

ADDITIONAL OPTIONS:

- Center broom
- Memory Sweep®
- Side broom tilt
- High pressure washdown/ high pressure pump
- Front spray bar
- Hopper deluge
- Auxiliary hydraulic pump
- PM-10 compliant
- Full side broom retract
- Variable speed side brooms
- Full-width magnet
- Rotating beacon
- Auxiliary lighting packages
- In-cab control for vacuum enhancer
- Broom hour meter
- R or L inspection door
- Additional water: 140 gal. (530L), 280 gal (1060L), 360 gal. (1363L)
- FlowBlocker™
- Enhanced water control

SPECIFICATIONS:

SWEEP SYSTEM

High performance regenerative air
Sweeping path: 12 ft. (3658 mm)
Side brooms: 42 in. (1067 mm)

PICK-UP HEAD

High flow with pressure and vacuum chamber
2700 sq. in. (17,450 sq. cm.)
Pressure hose diameter:
14 in. (356 mm)
Suction hose diameter:
12 3/4 in. (324 mm)

AUXILIARY ENGINE

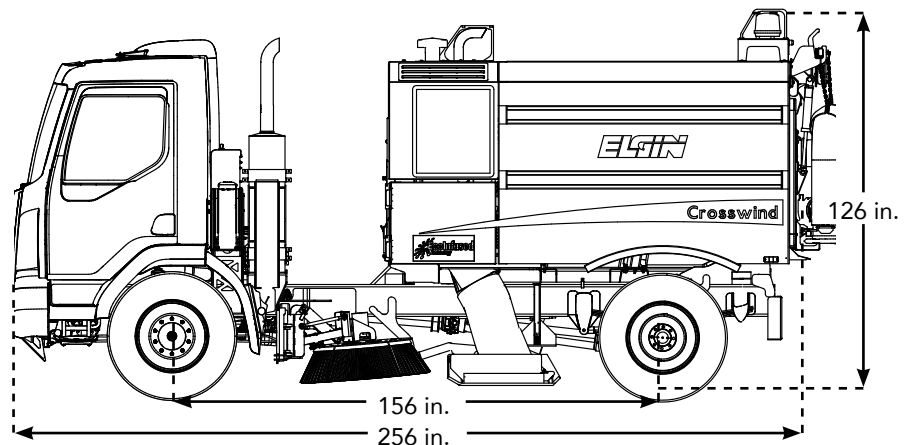
John Deere 4045T
Tier 4F low emission diesel
*Tier 2 & 3 for export only

CHASSIS

Choice of conventional or cab-over chassis

TRAVEL SPEED

Highway speeds



*Consult factory for warranty details

ELGIN SWEEPER IS YOUR PARTNER...

IN THE PLANNING

Instead of one-size-fits-all solutions, we'll work with you to select the sweeping technology that fits your specific needs.



IN THE STREETS

We're here to help you maintain your Elgin and train your operators to ensure the job is done right.



INTO THE FUTURE

Our dealers don't just sell you an Elgin; they're available to answer your questions and provide service for the life of the machine.



WARRANTY

Elgin Sweeper Company backs the Crosswind sweeper with a one-year limited warranty. The Crosswind is warranted against defects in material or workmanship for a period of 12 months from the date of delivery to the original purchaser. Optional extended warranty packages are available. Consult your Elgin dealer for complete warranty information.

Your Local Elgin Dealer Is:



elginsweeper.com

1300 W. Bartlett Road • Elgin, IL 60120 U.S.A.
(847) 741-5370 Phone • (847) 742-3035 Fax

Specifications subject to change without notice. Some items shown may be optional. Elgin® Crosswind® Crosswind FSX® Ecolnifused® LifeLiner® Memory Sweep® and SharedPower™ are registered trademarks of Federal Signal Corporation. Hardox® is a registered trademark of Hardox wear plate. Federal Signal Corporation is listed on the NYSE by the symbol FSS.

The patent entitled SharedPower Street Sweeper was issued on 4/21/2015 with patent #9,010,467.
©2019 Elgin Sweeper Company. Effective 4/19 P/N 0705223-R